



ITTEST

QUESTION & ANSWER

Guías de estudio precisos, Alta tasa de paso!



Ittest ofrece información actualizada de forma gratuita en un año!

<http://www.ittest.es/>

Exam : **ACP-01101**

Title : Autodesk Certified
Professional in AutoCAD for
Design and Drafting

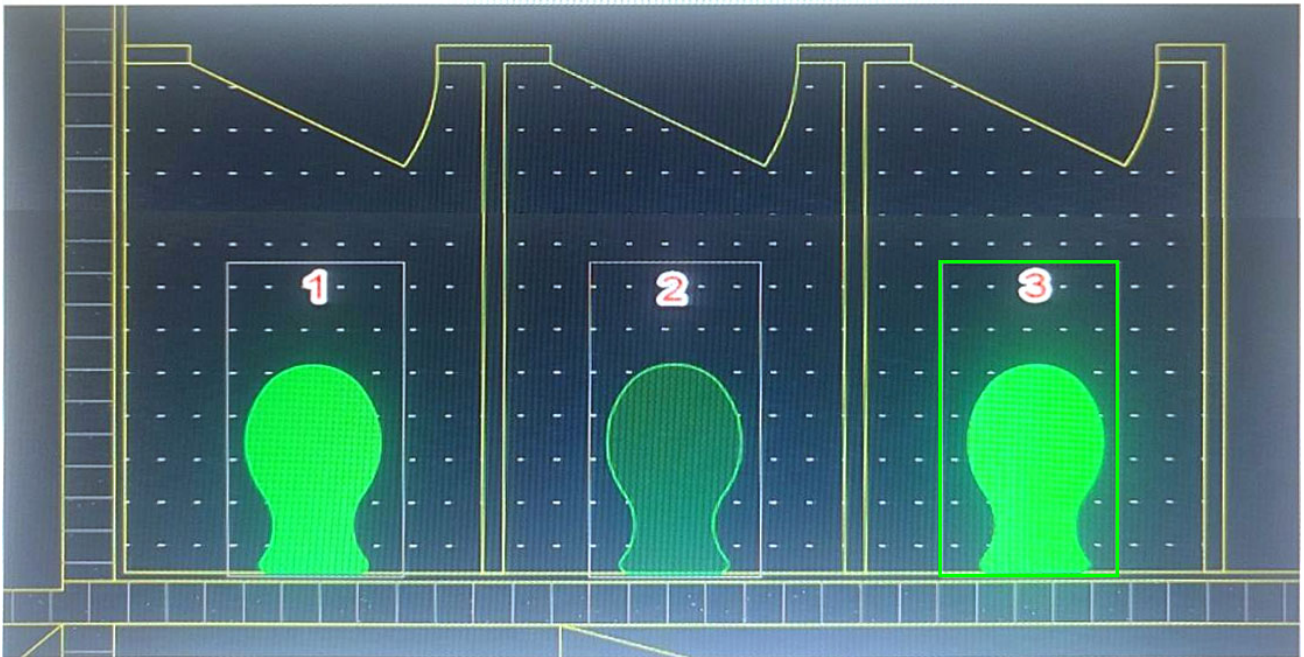
Version : DEMO

1.HOTSPOT

You have a drawing that contains three of the same objects.

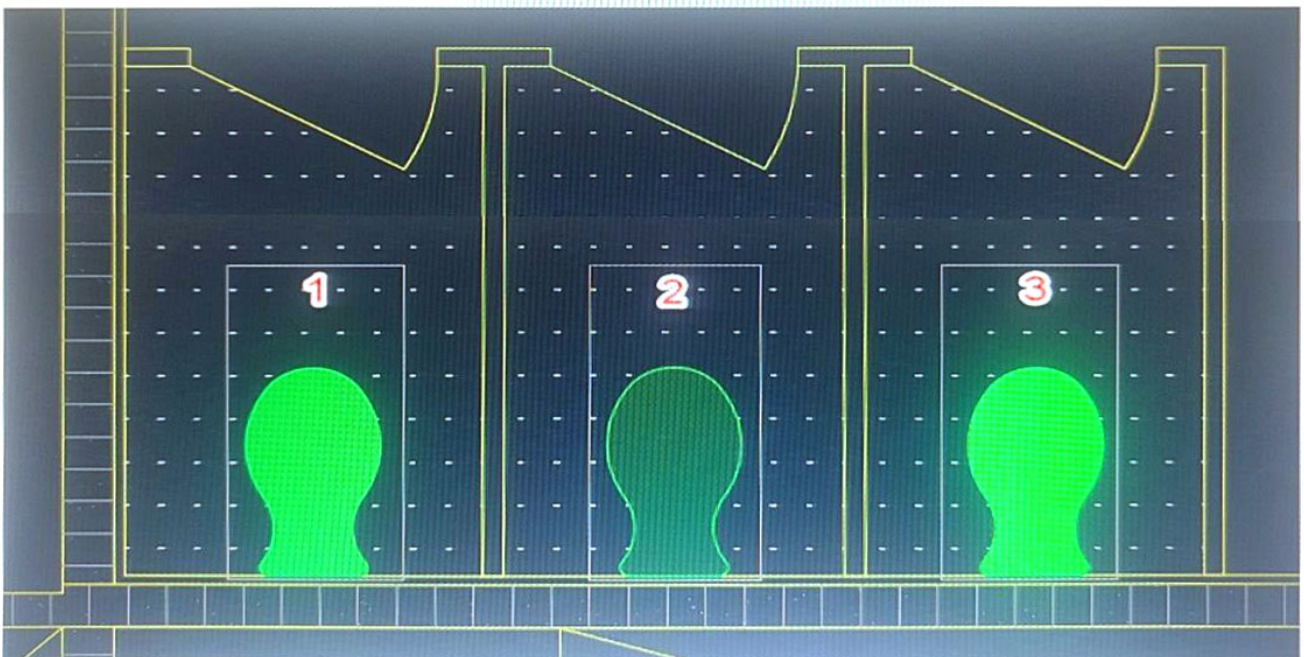
Which object has layer transparency set to 90? Click the correct object in the answer area.

Answer area



Answer:

Answer area



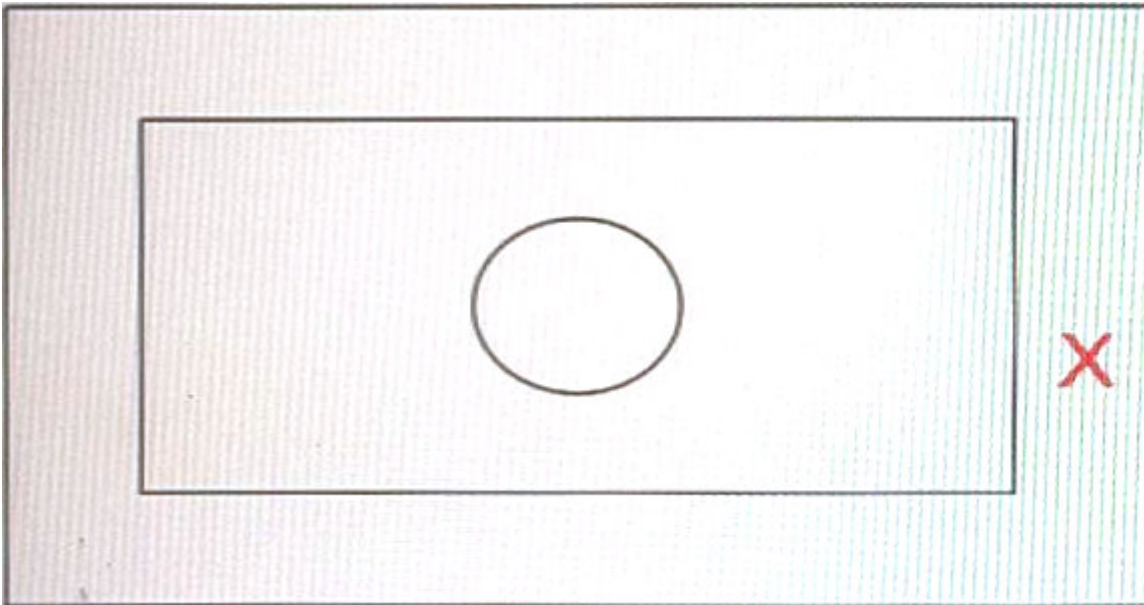
Explanation:

According to the AutoCAD for Design and Drafting documents, layer transparency is a property that makes objects on a layer appear translucent or opaque. The higher the transparency value, the more transparent the layer appears. Therefore, the object that has layer transparency set to 90 is the one that appears the most faded or dimmed in the drawing. In this case, it is the object on the right. You can click on it to select your answer.

2.DRAG DROP

You are using the HATCH command in a drawing.

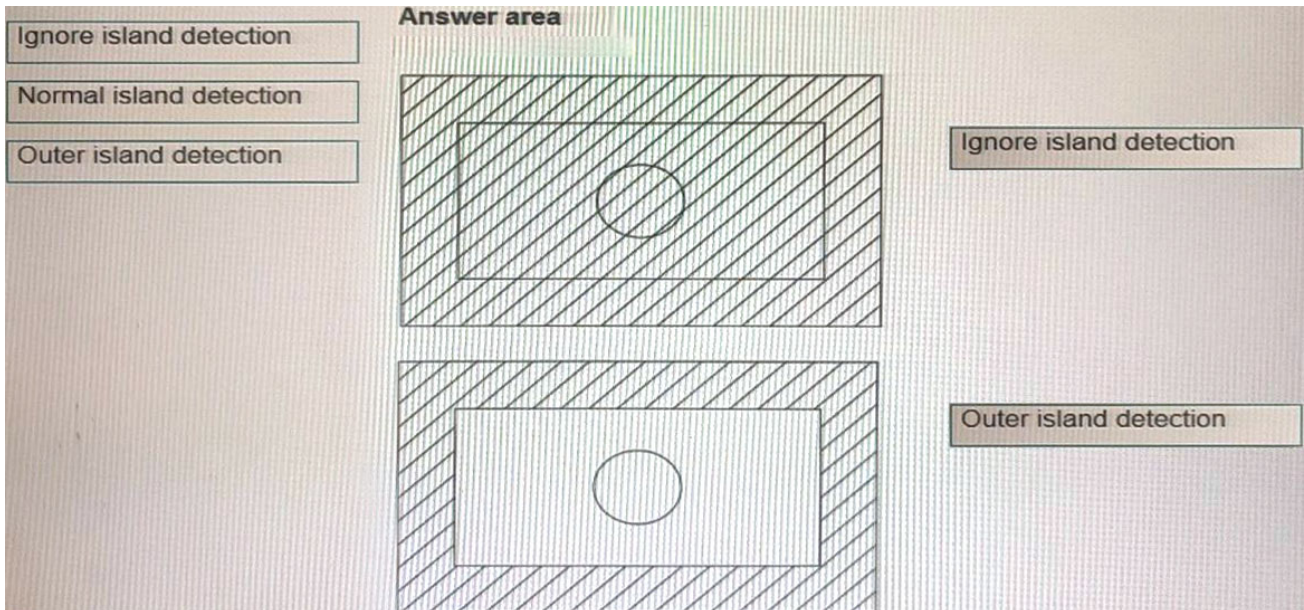
You select the internal point that corresponds with the X as shown in the following exhibit.



Move each setting from the list on the left to the corresponding result on the right.

	Answer area	
Ignore island detection		<input type="text"/>
Normal island detection		<input type="text"/>
Outer island detection		

Answer:



Explanation:

Box 1 = ignore island detection

Box 2 = Outer island detection

<https://knowledge.autodesk.com/support/autocad/learn-explore/caas/CloudHelp/cloudhelp/2021/ENU/AutoCAD-Core/files/GUID-981679AC-7097-4724-A30D-33F1CAFDD81D-htm.html>

3.You need to change the width of a specific polyline without affecting the width of the other polylines in a drawing.

What should you use?

- A. The LWEIGHT command
- B. The PEDIT command
- C. The PLINEWID system variable
- D. The PLINEGEN system variable

Answer: B

Explanation:

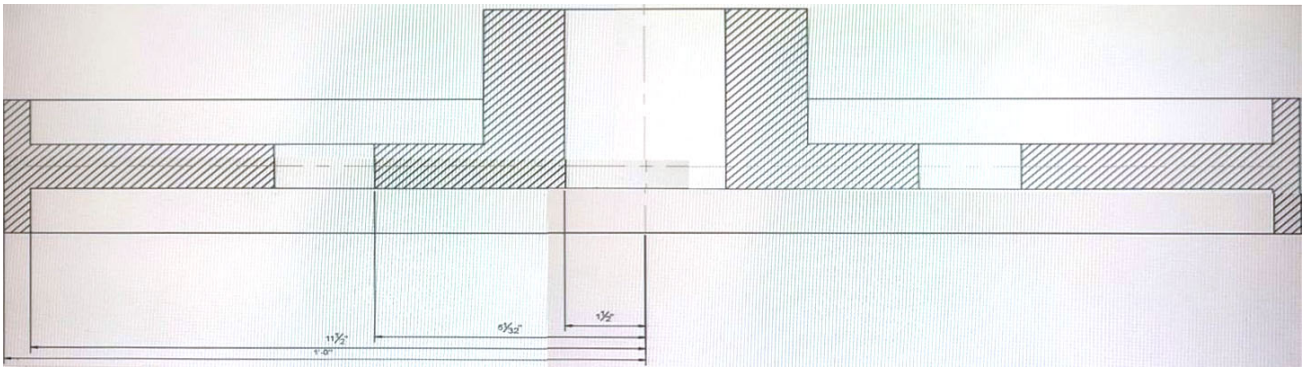
polyline is a connected sequence of line segments created as a single object that can contain a width. You can change the width of a polyline by using the PEDIT command.

Based on 3 and 4, LWEIGHT is a command that sets the current lineweight, which is used for new objects and affects objects in the current space only. PLINEWID is a system variable that sets a default polyline width for new polylines. PLINEGEN is a system variable that controls how linetype patterns are generated around vertices.

<https://www.roadlesstraveledstore.com/how-do-i-change-the-width-of-a-polyline-in-autocad/>

<https://knowledgeburrow.com/how-do-i-change-the-width-of-a-polyline-in-autocad/>

4.Refer to the exhibit.



This section view was dimensioned using Baseline Dimensions. The dimensions are too close together which impacts the drawing's legibility.

What is the most efficient method to avoid this problem in the future?

- A. Copy and Paste
- B. Move
- C. Dimension Style Manager
- D. Grip Edit

Answer: C

Explanation:

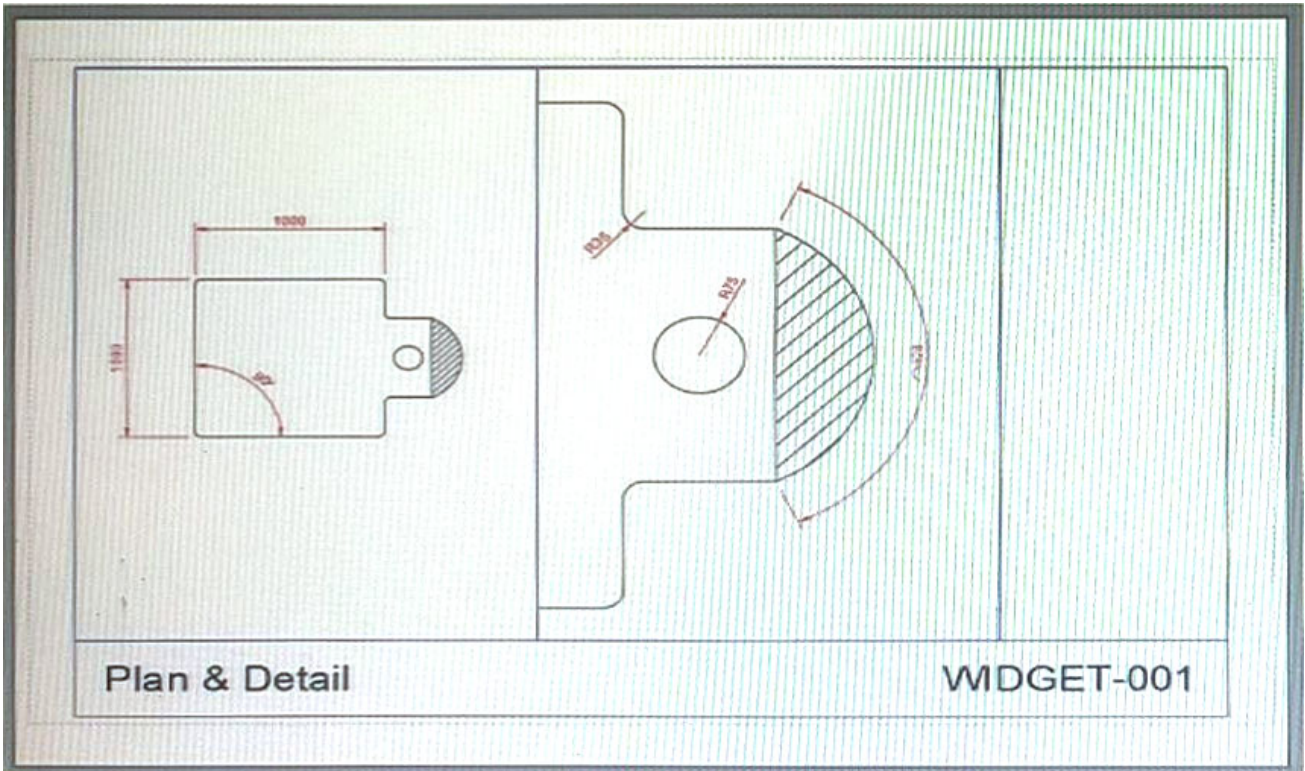
a baseline dimension is a linear, angular, or ordinate dimension that is measured from the baseline of a previous or selected dimension. The spacing between baseline dimensions can be set from the Dimension Style Manager, Lines tab, Baseline Spacing (DIMDLI system variable).

The most efficient method to avoid the problem of dimensions being too close together in the future is to use Dimension Style Manager. This will allow you to change the default spacing for all baseline dimensions in your drawing.

<https://knowledge.autodesk.com/support/autocad/learn-explore/caas/CloudHelp/cloudhelp/2015/ENU/AutoCAD-Core/files/GUID-D8849F82-C542-45A1-A81C-EE848A0A30D3-htm.html>

5.HOTSPOT

You have two viewports at different viewport scales as shown in the exhibit.



The geometry and dimensions were created in model space.

The viewport scales are 1:16 and 1:5. The dimension text height is the same for both viewports in the layout.

Evaluate the graphic and complete the statements by selecting the correct options from the drop-down lists.

Answer area

The dimension style is:

- annotative
- non-annotative

The DIMASSOC variable is set to its default, therefore the dimensions are:

- associative
- non-associative

Answer:

Answer area

The dimension style is:

- annotative
- non-annotative

The DIMASSOC variable is set to its default, therefore the dimensions are:

- associative
- non-associative

Explanation:

Box 1 = annotative

an annotative dimension style is a dimension style that automatically adjusts the size of dimensions based on the viewport scale. An annotative dimension style has an icon next to its name in the Dimension Style Manager dialog box. The dimension style is annotative because the dimension text height is the same for both viewports in the layout, even though they have different viewport scales¹.

Box 2 = associative The DIMASSOC is at its default value of 2, therefore the dimensions are associative because they are linked to and update with the measured geometry³.