



# ITTEST

QUESTION & ANSWER

Guías de estudio precisos, Alta tasa de paso!



Ittest ofrece información actualizada de forma gratuita en un año!

<http://www.ittest.es/>

**Exam** : **E20-535**

**Title** : Networked Storage - NS  
Implementation

**Version** : Demo

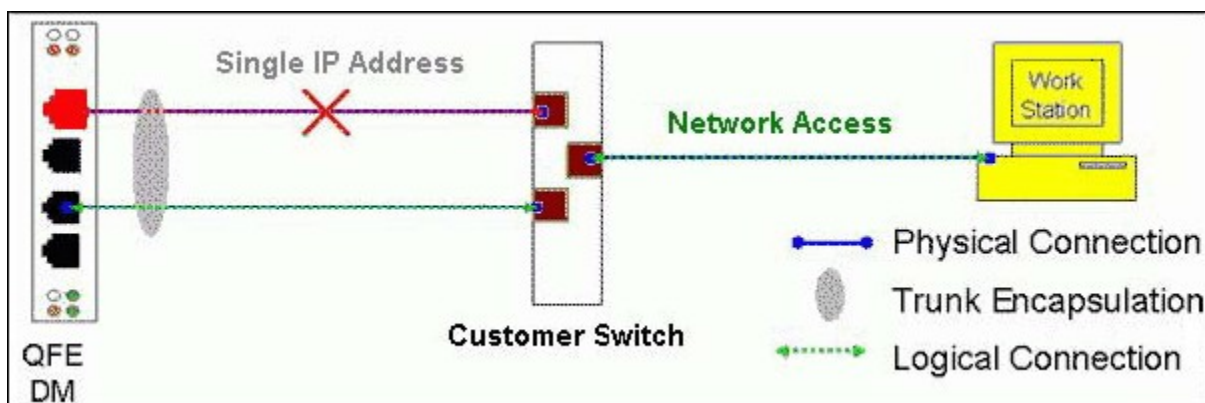
1.The NAS solution requires that file system fs01 be mounted to /mp1. CIFS users must not see the .etc and lost&found objects when they access the CIFS share.

Which procedure meets this requirement?

- A. Mount fs01 to /mp1 Create the directory /mp1/share Export /mp1/share as a CIFS share
- B. Mount fs01 to /mp1 Create the directory /mp1/share Unmount fs01 from /mp1 Mount fs01 to /mp1/share Export /mp1/share as a CIFS share
- C. Create the mountpoint /mp1/share Mount fs01 to /mp1/share Export /mp1/share as a CIFS share
- D. Mount fs01 to /mp1 Export /mp1/ as a CIFS share Mark .etc and lost&found as hidden

**Answer: A**

2.Click the Exhibit button.



What will happen if one of the trunking network paths fails (indicated by the X)?

- A. I/O will wait until the failed path becomes available
- B. The Data Mover will failover
- C. I/O will pass on both paths
- D. All I/O will pass on active path only

**Answer: D**

3.Which NS600 cache data is written to the vault area in the event of a power failure?

- A. Write and read
- B. Write
- C. Read
- D. NVRAM

**Answer: B**

4.What are two [2] accurate statements about Virtual Data Movers [VDMs]?

- A. support NFS only
- B. do not support CDMS
- C. do not support CPU/memory resource allocation
- D. support CIFS and NFS

**Answer: B,C**

5.When the getreason command is used, which status identifies that a Data Mover needs to be replaced?

- A. connected

- B. contacted
- C. powered off
- D. dos booted

**Answer: C**

6.From where will the data be read when a bitmap value of a data block in a SnapSure checkpoint is 1?

- A. cache
- B. bitmap
- C. PFS
- D. SavVol

**Answer: D**

7.DRAG DROP

Number the statements, in order, about Celerra Replicator's periodic update to the SavVol.

**Number the statements, in order, about Celerra Replicator's periodic update to the SavVol.**

Order	Statements in Order
1	(place step one here)
2	(place step two here)
3	(place step three here)
4	(place step four here)

- Pause PFS
- Resume PFS
- Re-read superblock of PFS
- Complete deltas to SavVol (background)

**Answer:**

Number the statements, in order, about Celerra Replicator's periodic update to the SavVol.

Order	Statements in Order
1	Pause PFS
2	Re-read superblock of PFS
3	Complete deltas to SavVol (background)
4	Resume PFS

- Pause PFS
- Resume PFS
- Re-read superblock of PFS
- Complete deltas to SavVol (background)

8.What is the fully functional state of a Virtual Data Mover?

- A. loaded
- B. TempUnloaded
- C. mounted
- D. PermUnloaded

**Answer:** A

9.What is one characteristic of internal usermapper?

- A. runs on Control Station
- B. requires post DART code installation on the Control Station from the Celerra Application disk
- C. coexist with External usermapper is recommended
- D. no separate installation required

**Answer:** D

10.What is the default authentication method used in Windows Active Directory, Native Mode?

- A. LM
- B. Kerberos
- C. NIS
- D. NTLM

**Answer:** B

11.What is one characteristic of SnapSure?

- A. can mount a checkpoint on any Data Mover
- B. can delete a checkpoint in any order

- C. checkpoint is independent of its Production File System
- D. checkpoints are stored in the same volume as the Production File System

**Answer: B**

12.Which NS600 cache data is written to the vault area in the event of a power failure?

- A. NVRAM
- B. Read
- C. Write
- D. Write and read

**Answer: C**

13.Click the Exhibit button.

The screenshot shows the EMC NAS Administration interface. The left sidebar contains a tree view with categories like Control Stations, Data Movers, Storage Systems, File Systems, and CIFS Shares. The main area is titled 'CIFS Shares' and features a 'Show CIFS Shares for:' dropdown menu set to 'All Data Movers'. Below this is a search box and a 'Find' button. A table displays the following data:

Name	File System	Path	CIFS Servers	Data Mover	Comment
share1	demo_fs_2	\demo_fs_2\abcdef	fenway	server_2	abcdef on demo_
share2	demo_fs_2	\demo_fs_2\xyz	fenway, wrigley	server_2	xyz on demo_fs_
share3	demo_fs_2	\demo_fs_2	wrigley	server_2	Root of demo_fs_
share4	demo_fs_3	\demo_fs_3\jkl	All	server_3	jkl on demo_fs_3

At the bottom of the table area, there are 'New' and 'Delete' buttons.

Which three [3] shares are visible on \\fenway?

What is recommended for high availability in a high application transaction environment?

- A. NFS
- B. FTP
- C. TFTP
- D. CIFS

**Answer: A**

15.Which assigns the Fibre Channel WWN?

- A. Operating system
- B. Hardware manufacturer
- C. Name server
- D. System Administrator

**Answer: B**