



# ITTEST

QUESTION & ANSWER

Guías de estudio precisos, Alta tasa de paso!



Ittest ofrece información actualizada de forma gratuita en un año!

<http://www.ittest.es/>

**Exam** : **HP0-045**

**Title** : Supporting the ESL  
E-Series Lobraries

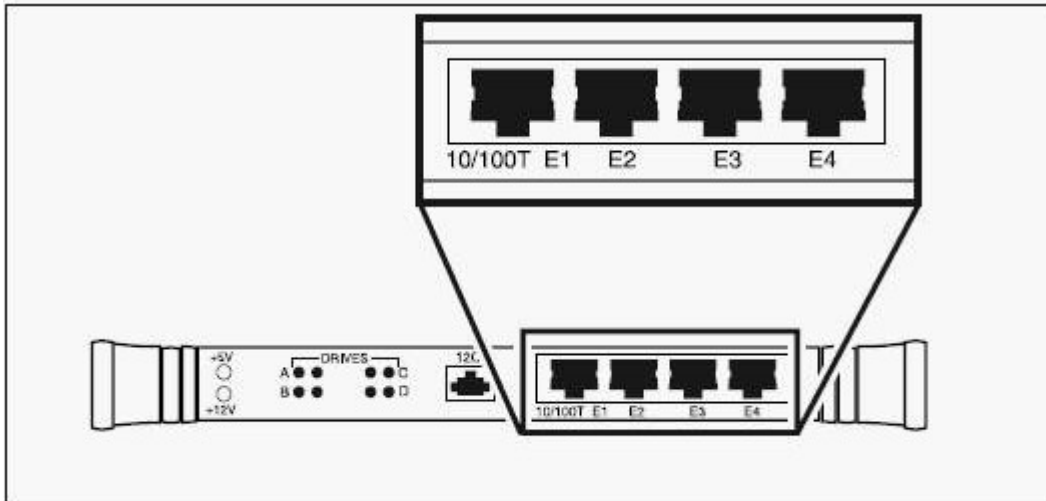
**Version** : DEMO

1.What is required to access the Advanced Secure Manager features in Command View ESL?

- A.the appropriate license key
- B.valid user access permissions
- C.a special administrator password
- D.a suitable advanced user account

**Correct:A**

2.Click the Exhibit button. Which component is connected to port E1 of the cluster controller if it is in drive cluster 0?



- A.cabinet controller
- B.interface controller
- C.lower cluster controller
- D.Interface Manager card

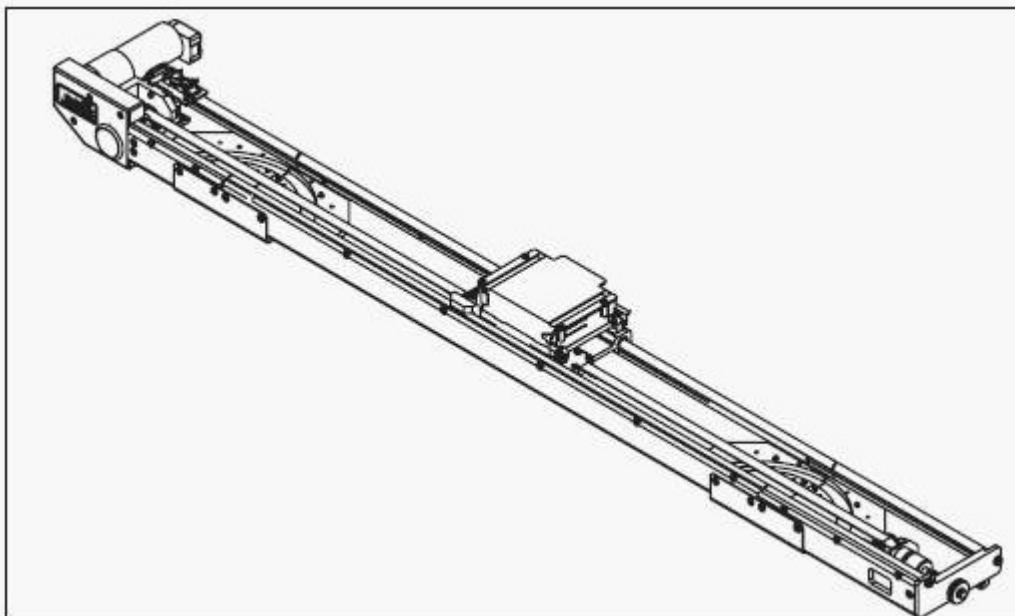
**Correct:A**

3.What does the OCP display when a library hangs because there are more than one hundred unlabeled tape cartridges in the library?

- A.Error 22
- B.Please wait
- C.Going on line
- D.Inventory failure

**Correct:C**

4.Click the Exhibit button. Which tape library component (used to carry data cartridges to a secondary cabinet) is shown on the figure?



- A. CLM arm
- B. CLM controller
- C. picker assembly
- D. cartridge transfer robot

**Correct:A**

**5. Which scheme is used in the command line interface for drive and slot numbers in ESL E-Series tape libraries?**

- A. 0 based
- B. 1 based
- C. 2 based
- D. Hex based

**Correct:B**

**6. Which port number is required when starting a Command View TL session?**

- A. 2301
- B. 4095
- C. 4444
- D. 5555

**Correct:B**

**7. You are performing a firmware upgrade using Command View TL and a Telnet session terminates it prematurely. What is the most likely outcome?**

- A. The Telnet session is automatically aborted.
- B. Telnet automatically aborts the other session, but the upgrade continues.
- C. Command View TL takes precedence and continues the firmware upgrade.
- D. The firmware upgrade aborts and the device being upgraded may need physical repair.

**Correct:D**

**8. What does the cabinet controller assembly of an ESL E-Series tape library provide a SCSI interface to?**

- A. tape devices

- B.library robotics
- C.management interface card
- D.e2400-160 Interface Controller

**Correct:B**

**9.Which capabilities of a TCP/IP connection are delivered by the Simple Internet Protocol Plus (SIPP)?**

- A.small packets and ECC
- B.error handling and retries
- C.increased bandwidth and performance
- D.faster command propagation on inexpensive copper interconnect

**Correct:B**

**10.For which connection, other than the cabinet controller, is the I2C network cable used?**

- A.external LANs
- B.cluster controllers
- C.interface management cards
- D.Fibre Channel interface controllers

**Correct:B**