



ITTEST

QUESTION & ANSWER

Guías de estudio precisos, Alta tasa de paso!



Ittest ofrece información actualizada de forma gratuita en un año!

<http://www.ittest.es/>

Exam : **NS0-310**

Title : Network Appliance Solution
Architect-Backup and
Restore

Version : Demo

1. In which of the two following instances does VTL helps in performance versus tape?

- A. Streaming multiple streams
- B. Slow Data Networks
- C. Millions of small files
- D. Small number of large files

Answer:AB

2. Which one of the following OSSV clients are integrated with SnapManager for Exchange?

- A. SyncSort Backup Express
- B. CommVault QiNetix
- C. Bakbone NetVault
- D. None of the above

Answer: D

3. Which one of the following is NOT controlled by SnapManager for Exchange?

- A. SnapMirror
- B. Snapshots
- C. SnapRestore
- D. VSS Snapshots for NetApp OSSV

Answer: D

4. Customer wants to backup non-NetApp storage using NetBackup. They want easy online access to long history of backups. Which one of the disk-based NetApp solution should be proposed?

- A. VTL
- B. SnapVault for NetBackup
- C. NDMP
- D. OSSV

Answer: B

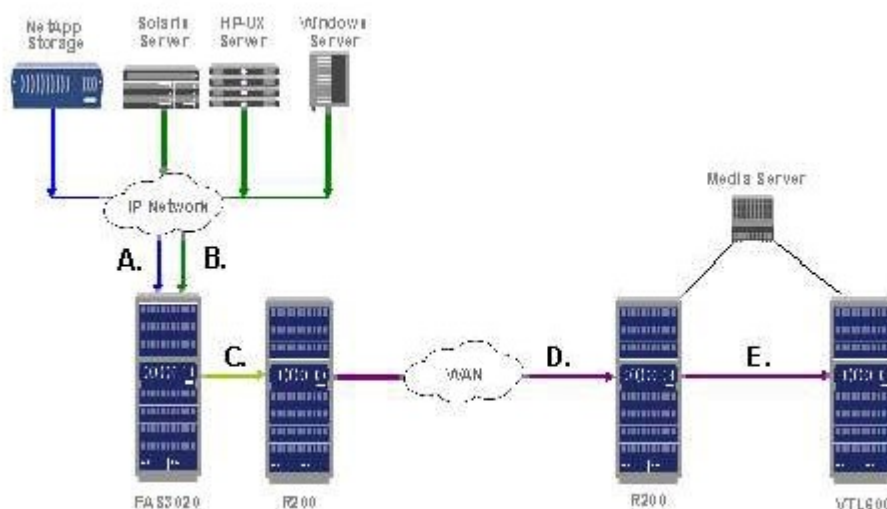
5. A destination volume for backups and data retention is known as a _____?

- A. Vault
- B. Secondary Volume C. Mirror plex

D. Cluster

Answer: B

6. Looking at the diagram below, which one of the following is the supported configuration?



- A. (A) SnapVault, (B) OSSV. (C) SnapVault, (D) Async SnapMirror, (E) NDMP
- B. (A) SnapVault, (B) SnapVault. (C) SnapMirror, (D) SnapMirror, (E) NDMP
- C. (A) NDMP, (B) SnapVault. (C) SnapMirror, (D) SnapMirror, (E) NDMP
- D. (A) SnapVault, (B) OSSV. (C) SnapMirror, (D) SnapMirror, (E) NDMP

Answer: D

7. A customer wants to deploy DFM into an existing SnapVault environment to manage the SnapVault backup schedules. What will occur?

- A. DFM will Auto discover all existing SnapVault schedules
- B. The command line schedules will be automatically ignored
- C. Newly created DFM schedules will take precedence over command line schedules
- D. Both schedulers will continue to run independently

Answer: D

8. What OSSV command could you use to measure the network throughput on an OSSV primary?

- A. snapvault status
- B. ossv status
- C. snapvault perf
- D. ossv perf

Answer:A

9. Which backup mechanism is most closely tied to snapshots?

- A. VolCopy
- B. SnapLock
- C. SnapVault
- D. NDMP

Answer: C

10. What are the two key components of SnapVault for NetBackup?

- A. NearStore option license
- B. FAS 980
- C. NetBackup Enterprise 6.0 MP3 or later
- D. NetBackup 5.0 or later

Answer:AC

11. Which methodology CANNOT be used to allow for a single file restore from tape to a NetApp FAS system?

- A. SnapMirror to tape
- B. NetBackup with NDMP
- C. NetBackup without NDMP
- D. The dump command

Answer:A

12. Where is SnapVault snapshot scheduling controlled?

- A. Primary

- B. Secondary
- C. Primary and Secondary
- D. FilerView

Answer: C

13. What is the maximum number of simultaneous SV/OSSV streams allowed to/from the FAS270?

- A. 4
- B. 8
- C. 16
- D. 128

Answer: B

14. Which three of the following tools can be used to manage OSSV?

- A. Legato NetWorker.
- B. BakBone NetVault.
- C. CommVault QiNetix
- D. Syncsort Backup Express

Answer: BCD

15. A customer with OSSV has used the SnapVault/SnapMirror bundle to convert their OSSV destination to R/W for testing. The testing was a success and they would like to copy their changes back to the OSSV primary. How can this be done?

- A. OSSV resync
- B. FTP
- C. SnapMirror resync
- D. None of the above

Answer: D

16. A customer wants to use SnapVault to backup snapshots from a traditional volume. Which one of the following will impact SnapVault performance?

- A. Application running on the host

B. Number of disks in the destination's Root Volume

C. Volume type on the destination

D. Frequency of SnapVault transfers

Answer: D

17. Customer wants to do a nightly backup that is locked down for compliance purposes. Which product will you use?

A. SnapLock

B. SnapMirror

C. SnapVault

D. LockVault

Answer: D

18. A customer has backed up a SnapVault volume on a SnapVault secondary to tape. The steps to recover data from tape to the SnapVault primary will be:

A. Tape->secondary volume->primary volume

B. Tape->primary volume

C. Tape-> LREP-> primary volume

D. BothA and B

Answer: D

19. A customer has an Oracle Database with a RTO of 1 hour, but a RPO of 5 minutes. How can they achieve this with minimal WAN traffic?

A. SnapVault every 5 minutes

B. SnapMirror Every 5 minutes

C. SnapVault the Database files every hour and SnapMirror the logs every 5 minutes

D. Use Rman to backup to tape every hour

Answer: C

20. How can you make a SnapVault destination volume read-write?

A. SnapVault break

B. SnapMirror/SnapVault bundle

C. Cannot do it

D. SnapVault destinations are already read-write

Answer: B